

ADJUSTABLE VACUUM SWITCHES



This is a compact, accurate vacuum switch with excellent repeatability and low hysteresis. It will operate in any position and the set point can be infinitely adjusted. Ideal for vacuum sensing and other factory automation applications, it can be mounted directly on vacuum generators. We offer three models for three different vacuum port connections.

Specifications:

Range: 5" to 30" Hg. Vacuum

Material: Black Plastic

Adjustment: Infinite

Electrical: 250 VAC - 4 amps

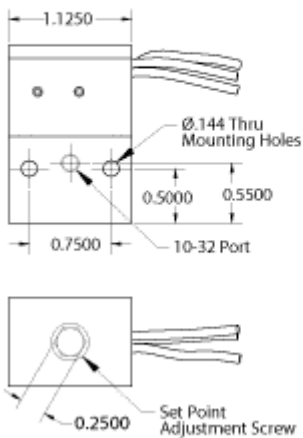
Hysteresis: 1" to 2.5" Hg.

Lead Wires: #18 AWG, 6" long

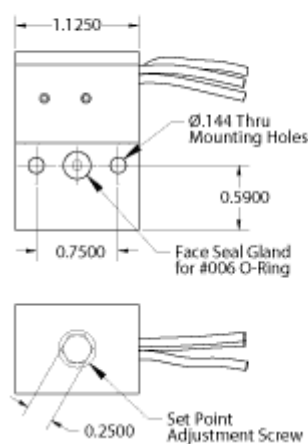
Output: Single Pole Double Throw

PART NUMBER	VACUUM PORT	CONNECTION P	RICE (EA)
181851	10-32-UNF	THD	\$57.48
181852	#6 O-Ring	Port	\$57.48
181853	1/8" NPT	Female	\$57.48

**MODEL VS1032D
P/N 181851**



**MODEL VS060RD
P/N 181852**



**MODEL VS08PTD
P/N 181853**

